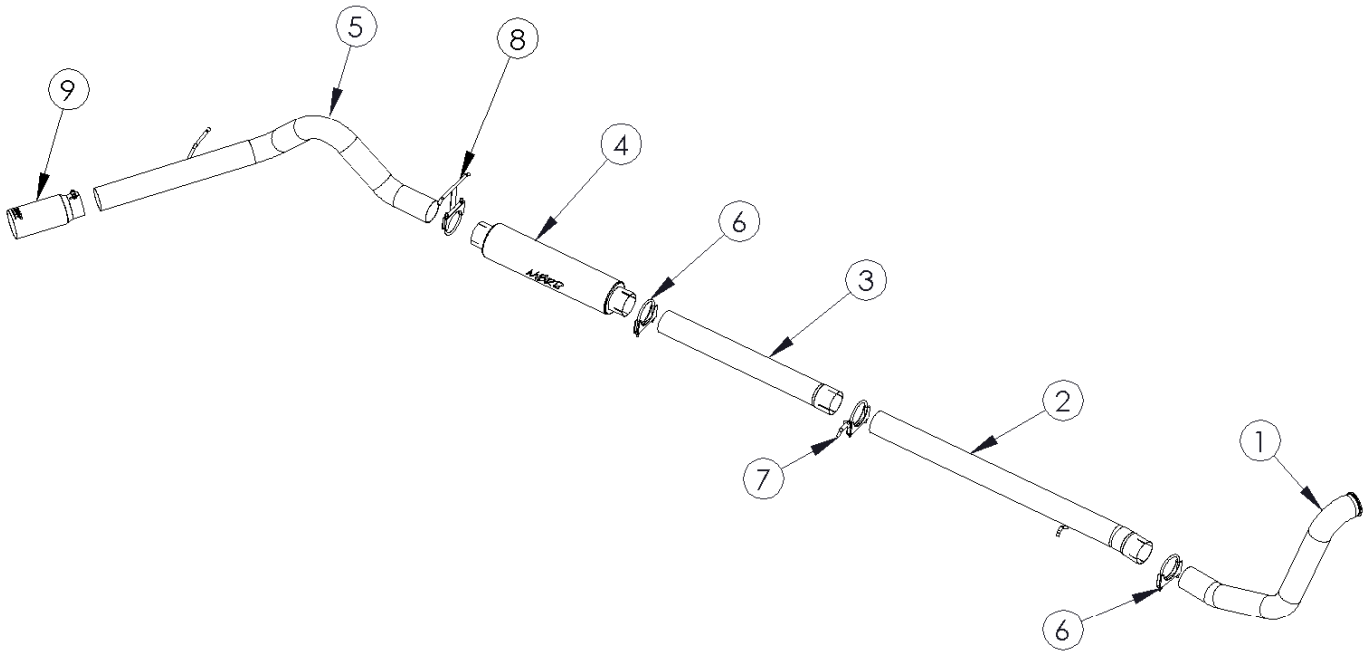


S6200

99-03 Ford Power Stroke F250/F350,
7.3L - Turbo Back

MBRP INC.

PERFORMANCE EXHAUST



1. DOWN PIPE
2. MID PIPE
3. EXTENTION PIPE
4. HIGH FLOW MUFFLER
5. TAIL PIPE
6. 4" CLAMP (2PCS)
7. 4" HANGER CLAMP
8. 4" T-HANGER
9. EXHAUST TIP

PLEASE READ BEFORE STARTING INSTALATION

While MBRP Inc. has made every effort to ensure that all components of this system are of superior quality and properly packaged it is the installer's responsibility to ensure the following before removal of the factory exhaust:

- that ALL components shown above are present.
- that ALL mating components fit together.
- that there are no damaged components.
- that the system you have purchased is appropriate for your vehicle year, model and configuration.
- that the system will not interfere with any modifications previously installed or planned.
- that you have read and understand these instructions.

If you have any questions or are uncertain about any aspect of the installation of this system to your vehicle please contact your dealer before commencing installation.

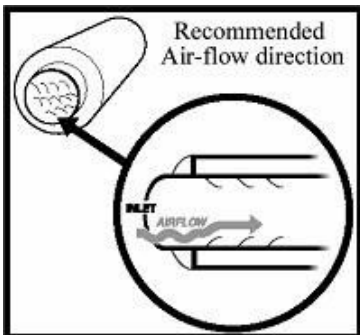
Removal of stock system:

1. Loosen the nut on the band clamp located behind the catalytic converter using a 15mm wrench or socket.
2. If a hoist is being used for the installation, the original exhaust system can be removed in one piece by removing the passenger side shock. If a hoist is not being used the tail pipe must be cut behind the muffler to be removed.
3. Remove the muffler and tail pipe from the OEM rubber hangers and separate the stock exhaust at the slip joint located behind the catalytic converter and remove the muffler and tail pipe from under the truck.
Re-install the passenger side shock.

4. Remove the catalytic converter by removing the two nuts holding the inlet flange together using a 15mm wrench or socket.
5. Remove the down pipe from the turbo by removing the band clamp using an 11mm socket. **Retain the band clamp for the installation of the new down pipe.** Cut the down pipe in front of the transmission cross member to remove. (**Note:** The stock down pipe can be removed in one piece by removing the transmission cross member. It is recommended that this only be done by qualified, trained professionals using tools and equipment designed to safely carry out this procedure.)

Installation of MBRP Inc. Performance Exhaust:

1. Install the **Down Pipe** in the same position as the stock down pipe and attach the flared end to the turbo using the stock band clamp. Do not fully tighten until all components are in place.
2. Attach the **Mid Pipe** to the **Down Pipe** and place the hanger into the factory rubber insulator located on the frame.
3. Install the **Extension Pipe** over the **Mid Pipe**. The **Extension Pipe** is pre-cut to fit vehicles with a 172" wheelbase and will have to be cut to fit all other vehicles. 137" wheelbase vehicles do not require the **Extension Pipe** to be installed. The **Hanger Clamp** is used at the connection between the **Mid Pipe** and the **Extension Pipe** and is installed into the OEM rubber hanger at this position.
Installation Tip: Temporarily install the **Muffler** and the **Tail Pipe** using the factory rubber insulators and the "T" **Hanger Clamp**. Measure from the **Muffler** to the **Mid Pipe** and cut the **Extension Pipe** to the required length.



4. Install the **Muffler** over the **Extension Pipe** or over the **Mid Pipe** with 137" wheelbase vehicles. Refer to the figure on the left for correct **Muffler** orientation.
5. Install the **Tail Pipe** from the rear of the truck, over the axle and attach to the outlet of the **Muffler**. Install the tail pipe hanger into the OEM hanger to complete.
6. Install the "T" **Hanger Clamp** into the two OEM rubber hangers located above the outlet of the **Muffler**.



7. Install the provided **Clamps** around the pipes where required. Adjust the **Tail Pipe** and check along the whole length of the exhaust system to ensure that there is adequate clearance around the fuel and brake lines or any wiring. If any interference is detected relocate or adjust.
8. Ensure that the exhaust is in place before tightening clamps. Start at the front of the exhaust system and begin tightening all connections.
9. Install and adjust the **Tip** to suit. Using a 17mm wrench tighten lock bolt located on the **Tip**.

Congratulations! You are ready to begin enjoying the improved performance and driving experience of your MBRP Inc. performance exhaust system. We hope you enjoy your purchase.