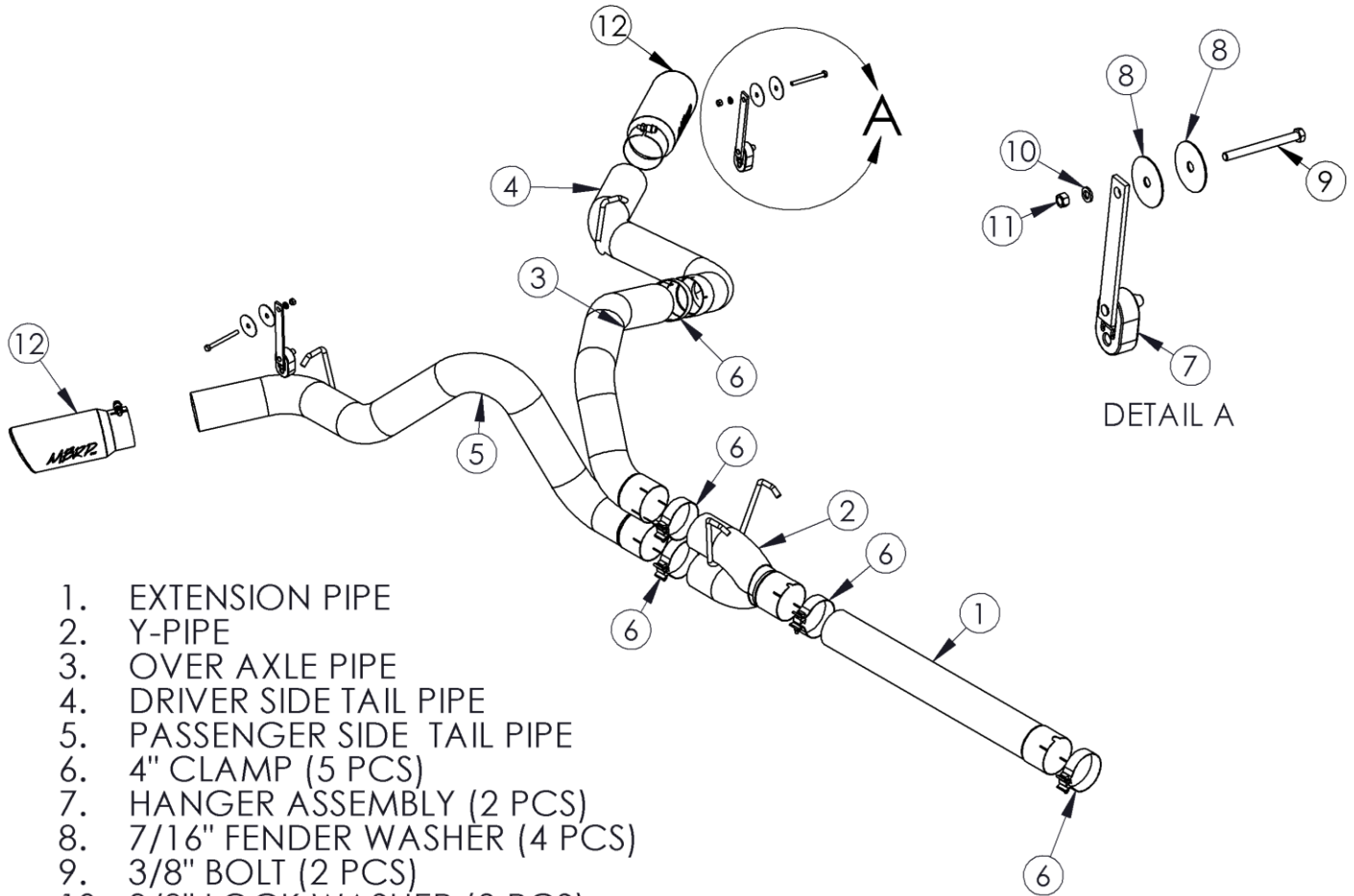


S6132

10-12 DODGE RAM 2500/3500, 6.7L
CUMMINS, PARTICULATE FILTER BACK,
COOL DUALS®

MBRP
INC.
PERFORMANCE EXHAUST



1. EXTENSION PIPE
2. Y-PIPE
3. OVER AXLE PIPE
4. DRIVER SIDE TAIL PIPE
5. PASSENGER SIDE TAIL PIPE
6. 4" CLAMP (5 PCS)
7. HANGER ASSEMBLY (2 PCS)
8. 7/16" FENDER WASHER (4 PCS)
9. 3/8" BOLT (2 PCS)
10. 3/8" LOCK WASHER (2 PCS)
11. 3/8" NUT (2 PCS)
12. EXHAUST TIP (2 PCS)

PLEASE READ BEFORE STARTING INSTALLATION

While MBRP Inc. has made every effort to ensure that all components of this system are of superior quality and properly packaged, it is the installer's responsibility to ensure the following before removal of the factory exhaust:

- that ALL components shown above are present.
- that ALL mating components fit together.
- that there are no damaged components.
- that the system you have purchased is appropriate for your vehicle year, model and configuration.
- that the system will not interfere with any modifications previously installed or planned.
- that you have read and understand these instructions.

If you have any questions or are uncertain about any aspect of the installation of this system to your vehicle please contact your dealer before commencing installation.

Removal of Stock System:



Figure 1

1. Apply a penetrating lubricant liberally to all exhaust fasteners, hangers and rubber insulators.
2. Loosen the nut on the clamps located behind the particulate filter and behind the muffler using a 15mm wrench or socket. **Refer to Figure 1.**
3. Remove the muffler and tail pipe from the OEM rubber hangers. Remove the stock exhaust from vehicle. **Refer to Figure 2.**



Figure 2

Installation of MBRP Inc. Performance Exhaust:

1. The **Extension Pipe** provided is the proper length the Crew Cab Long bed. For all other models except the Regular Cab Long Bed the **Extension Pipe** will need to be shortened. For the regular cab Long Bed the **Extension Pipe** is not required. Slide a **4" Clamp** onto the **Extension Pipe** and install behind the particulate filter. **Refer to Figures 3 & 4.**



Figure 3

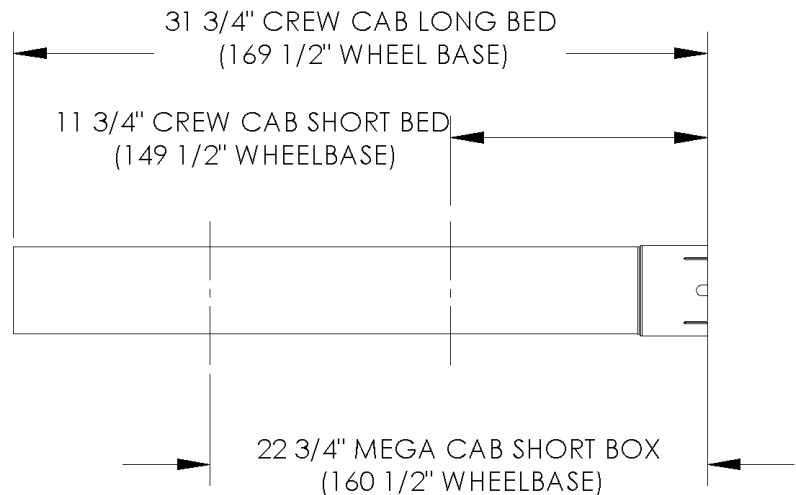


Figure 4

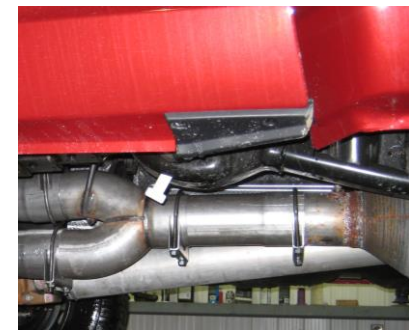


Figure 5

3. Slide a **4" Clamp** onto the lower **Y-Pipe**. Install the **Passenger Side Tail Pipe** from the rear of the truck, over the axle and attach it to the lower section of the **Y-Pipe**. **Refer to Figure 5**

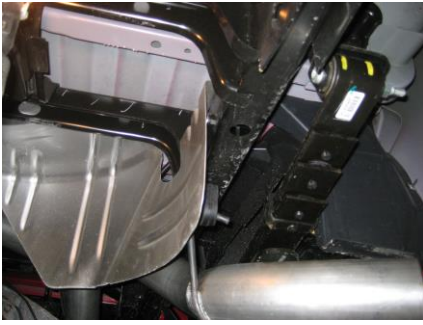


Figure 5

4. The spare tire needs to be temporarily removed and the heat shield loosened along the passenger side frame rail. Install a **Hanger Assembly** on the passenger's side of the vehicle directly above the hanger on the **Passenger Side Tail Pipe**. Using the hardware provided, sandwich the frame between the two **7/16" Fender Washers** to install the **Hanger Assembly**. Refer to **Figure 6**.



Figure 6

5. Install the **Passenger Side Tail Pipe** hanger into the rubber of the **Hanger Assembly**. Position for the best axle clearance and tail pipe exit location. Leave the **Passenger Side Tail Pipe** loose enough for adjustment. The heat shield will require a minor modification to fit around the **Hanger Kit**. Refer to **Figure 6**.

6. Slide a **4" Clamp** onto the upper section of the **Y-Pipe**. Install the **Over Axle Pipe** from the rear of the truck, over the axle and attach to the upper section of the **Y-Pipe**. Leave the **Over Axle Pipe** loose enough for adjustment. Refer to **Figure 7**.



Figure 7

7. Slide a **4" Clamp** onto the inlet end **Driver Side Tail Pipe** then attach to the **Over Axle Pipe**. Refer to **Figure 8**.

8. Install a **Hanger Assembly** on the driver's side of the vehicle. Slide the **Driver Side Tail Pipe** hanger into the rubber insulator of the **Hanger Assembly**. Adjust for the best axle clearance and **Tail Pipe** exit location. Refer to **Figure 9**.

9. Install and adjust the **Exhaust Tips** to suit. Using a 17mm wrench tighten the lock bolts located on the **Exhaust Tips**.



Figure 8

10. Make sure that the exhaust is properly in place before tightening clamps. Start at the front of the exhaust system and begin tightening all connections. Check along the whole length of the exhaust system to ensure there is adequate clearance around the fuel and brake lines or any wiring. If any interference is detected relocate or adjust.

Congratulations! You are ready to begin experiencing the improved power, sound and driving excitement of your MBRP Inc. performance exhaust system. We know you will enjoy your purchase.



Figure 9

