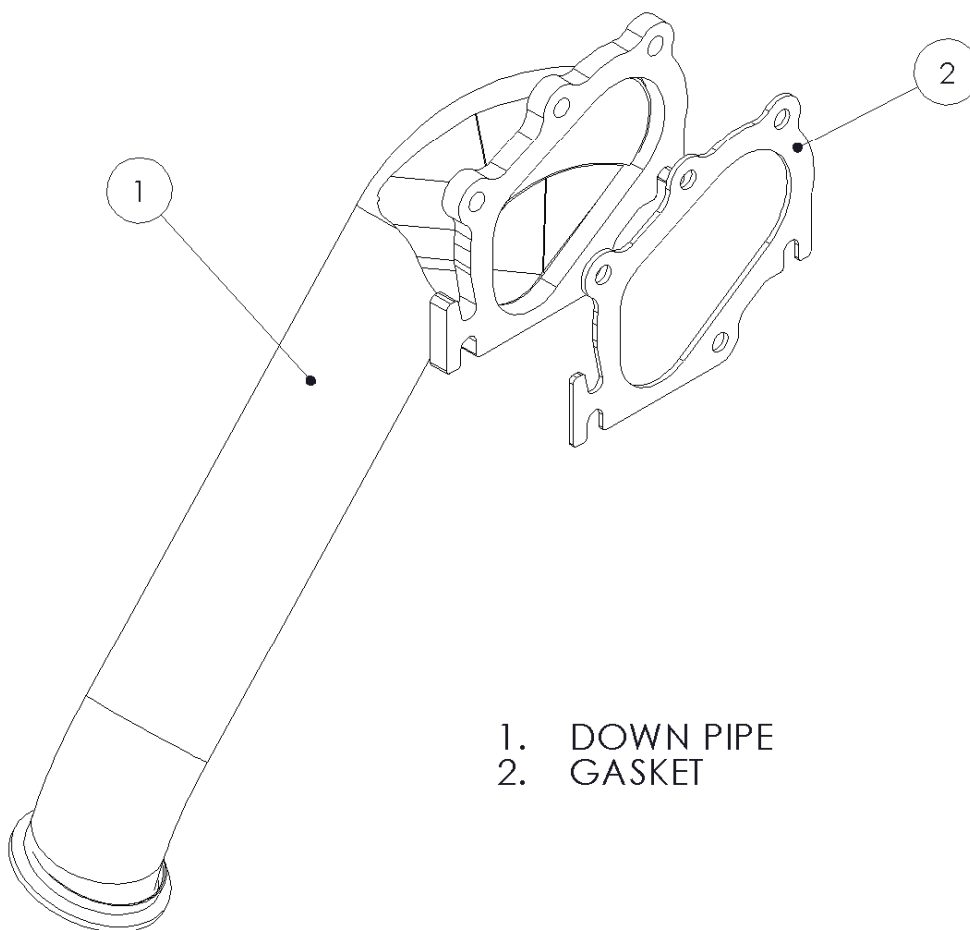


GM8425
01-04 LB7 DURAMAX DOWN PIPE KIT

MBRP
INC.

PERFORMANCE EXHAUST



PLEASE READ BEFORE STARTING INSTALLATION

While MBRP Inc. has made every effort to ensure that all components of this system are of superior quality and properly packaged it is the installer's responsibility to ensure the following before removal of the factory exhaust:

- that ALL components shown above are present.
- that ALL mating components fit together.
- that there are no damaged components.
- that the system you have purchased is appropriate for your vehicle year, model and configuration.
- that the system will not interfere with any modifications previously installed or planned.
- that you have read and understand these instructions.

If you have any questions or are uncertain about any aspect of the installation of this system to your vehicle please contact your dealer before commencing installation.

Removal of OEM Down Pipe

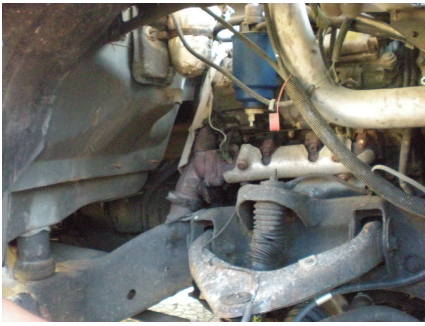


Figure 1

1. Start by disconnecting the battery, place the front of the truck on jack stands, and remove the front passenger tire followed by removing the plastic inner fender.

See Figure 1.

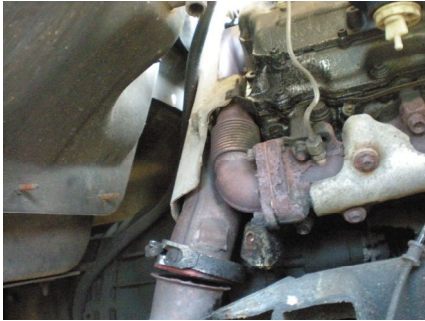


Figure 2

2. Loosen the OEM V Band Clamp at the OEM Down Pipe outlet. Using zip ties, wire or something similar, pull the Front Pipe away from the joint to allow for more room to remove the OEM Down Pipe.

See Figure 2.

3. Remove the bolt securing the OEM Down Pipe to the passenger side Exhaust Manifold. Remove the Transmission Dipstick.



Figure 3

4. Remove the three [3] bolts attaching the OEM Turbo Heat Shield and set aside. You will require these bolts later.

See Figure 3.

5. Remove the four [4] bolts attaching the OEM Down Pipe Heat Shield. Remove the Heat Shield and discard.

See Figure 4.



Figure 4



Figure 5

6. Remove the six [6] fasteners connecting the OEM Down Pipe to the Turbo Outlet Flange. These fasteners are very tight and may require heating and/or significant leverage to break free.

See Figure 5.

7. Remove the OEM Down Pipe through the opening above the frame rail in the passenger side wheel well.

Installation of MBRP Down Pipe Kit



Figure 6

1. Install the MBRP **Down Pipe** through the passenger wheel well. You may require assistance to guide the **Down Pipe** into position. A replacement **Gasket** is supplied in case the original is damaged. Reuse the original steel gasket if it is intact. Reinstall the previously removed fasteners.

See Figure 6.

2. Reinstall the Transmission Dipstick. It may be required to shim the mounting bracket rearward with washers to provide clearance from the **Down Pipe**.

3. Reconnect the Front Pipe to the **Down Pipe** with the previously removed V Band Clamp.

4. Reinstall the OEM Turbo Heat Shield, plastic inner fender, and reinstall the passenger tire.

Congratulations! You are ready to begin experiencing the improved power, sound and driving excitement of your MBRP Inc. performance exhaust Down Pipe. We know you will enjoy your purchase.